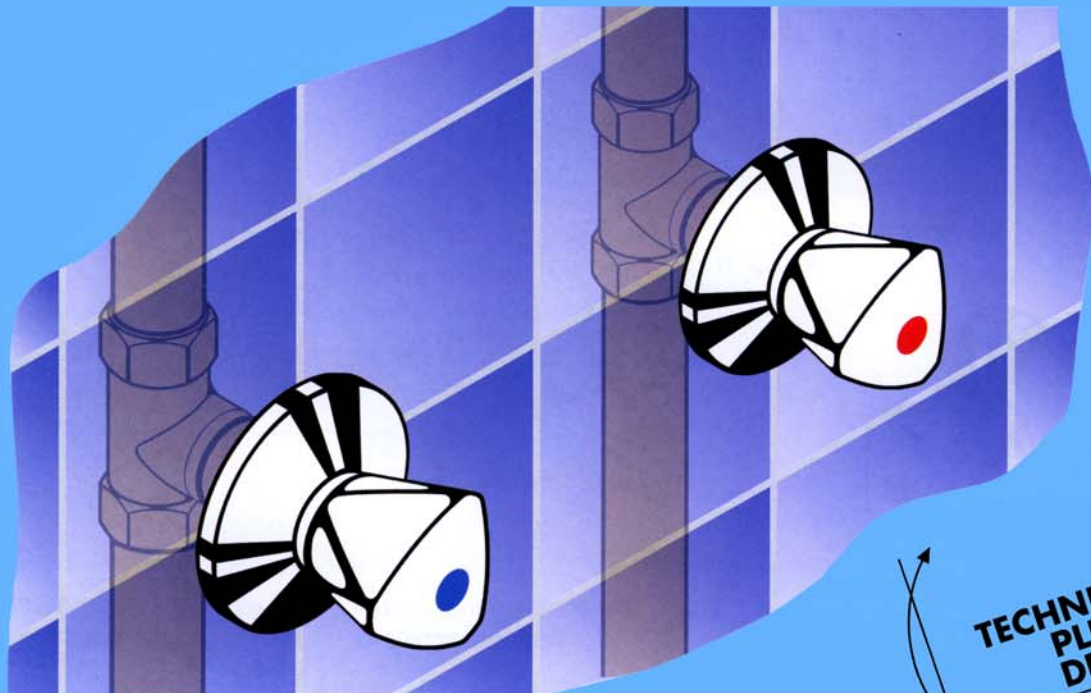


# NIL

# Concealed Valves



**TECHNIK  
PLUS  
DESIGN**

aus gutem Hause

- **Valve casing made of dezincification resistant hot-pressed brass**

Twice as secure and extremely durable are fittings with casings made of dezincification resistant hot-pressed brass, used for concealed installations.

- **Sanitary head with grease chamber and extra long valve spindle**

Smooth-running, tough, maintenance free and extra long valve spindle for increased installation depth.

- **Valve casing in modular concept**

Variety of products by using a modular concept with a technically easy and cost-efficient way of refitting to thread- / soldering- and press connections.

- **Brass, plastics and rubber used with drinking water**

Brass parts according to DIN EN 50930. KTW tested plastic and rubber parts.

**NIL** concealed valves match like all other **NIL** valves the latest drinking water regulations, established on January 1st, 2003.

- **NIL valves are conforming to standards, tested and certified**

Materials according to DIN EN 50930. Dimensions according to DIN 3512.

Hydraulic values according to DIN EN 1213. Noise levels according to DIN EN ISO 3822.

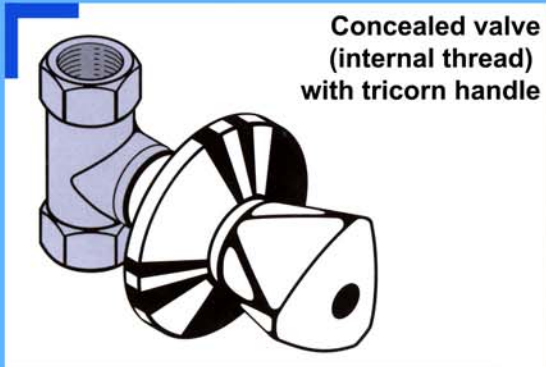
We already lined up for testing and DVGW certification of our concealed valves.

- **And what is included in the delivery?**

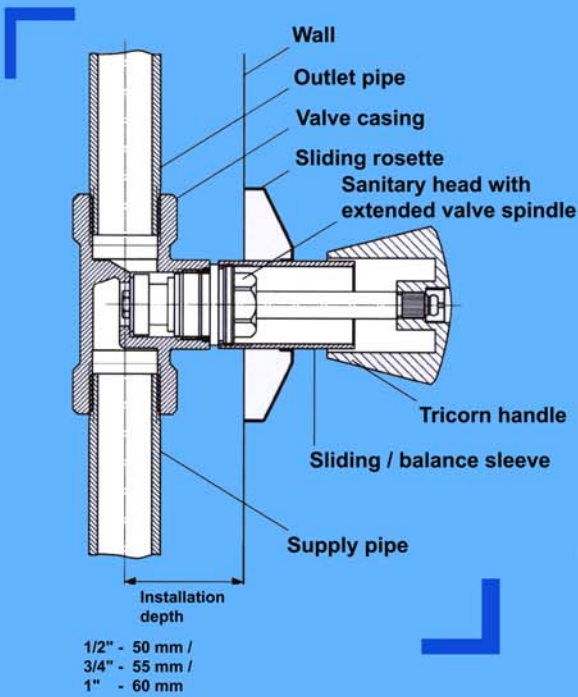
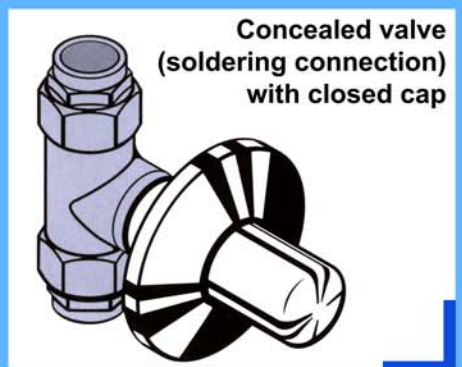
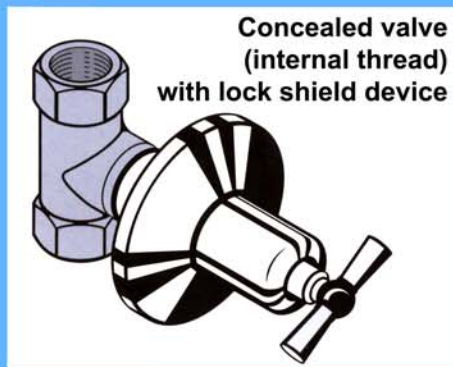
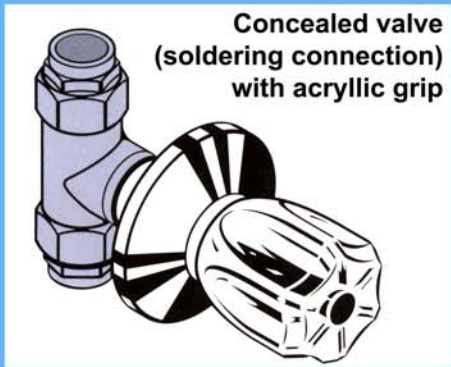
Concealed part: Complete valve casing with sanitary head and cover cap.

Exposed part: Upper part sleeve, sliding rosette, tricorn handle with red/blue sockets or acrylic grip red/blue or lock shield device or closed cap.  
Installation and service manual.

**Please choose!**



| Specification   | Order-no. |
|---|-----------|
| Concealed valve DN 15 with 1/2" internal thread on both sides | 8700 ff   |
| Concealed valve DN 20 with 3/4" internal thread on both sides | 8710 ff   |
| Concealed valve DN 25 with 1" internal thread on both sides   | 8720 ff   |



All concealed valves with sanitary grease chamber head and extra long valve spindle, tricor handle or acrylic grip or lock shield device or closed cap

| Specification   | Order-no. |
|---|-----------|
| Concealed valve DN 15 with soldering connection $\varnothing$ 15 mm | 8730 ff   |
| Concealed valve DN 15 with soldering connection $\varnothing$ 18 mm | 8740 ff   |
| Concealed valve DN 20 with soldering connection $\varnothing$ 22 mm | 8750 ff   |
| Concealed valve DN 25 with soldering connection $\varnothing$ 28 mm | 8760 ff   |