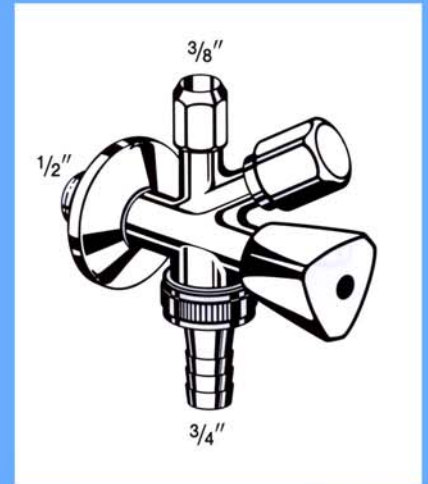
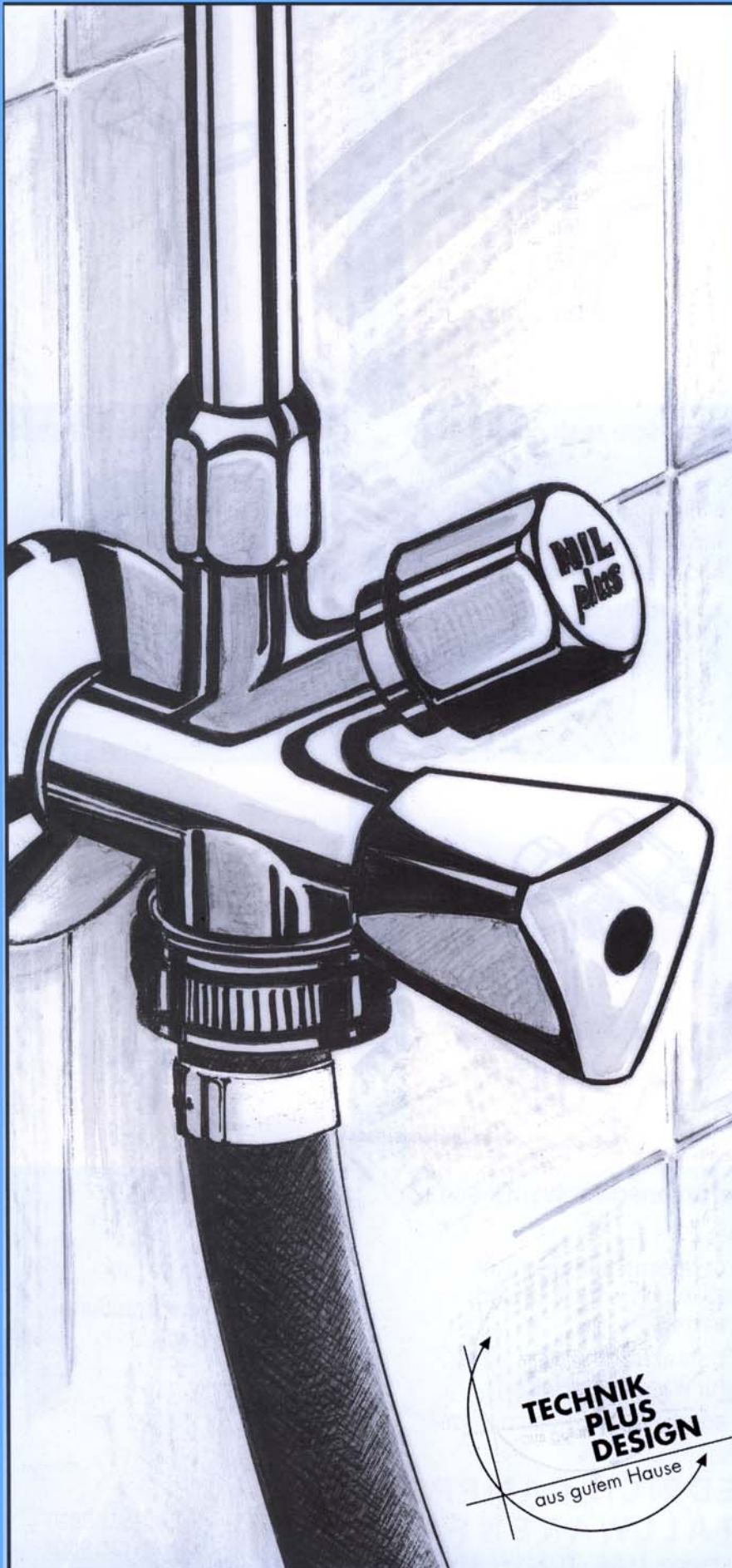


NIL Combined Angle Valves

- Conforming to standards!
- Solid!
- Smooth running grease chamber sanitary head!
- Simply persuasive!



Combined Angle Valve 6620
1/2" x 3/4" x 3/8"

- Sliding rosette 1/2" x \varnothing 60 mm
- Hose connection 3/4"
- Sanitary head 3/8" with backflow preventer, grease chamber and tricorn handle
- ELB compression nut 3/8", containing of 4 pieces (nut, long version + metal pressure ring + compression seal + length compensation) for copper pipe \varnothing 10 mm or flexible hoses
- Noise level according to DIN 4109 / DIN 52218
Test certificate PA-IX 718 / IA
- Pipe ventilator according to DIN 3266 (models 6621 + 6626)
- Self-sealing connection thread (models 6625 + 6626)
- Also available with 3/8" connection thread
- Casing made of hot-pressed brass MS 58 (CuZn39Pb3)

NIL

NIL Combined Angle Valves

- Conforming to standards!
- Solid!
- Smooth running grease chamber sanitary head!
- Simply persuasive!



Hose tap 6600

3/8" x 3/4" x 3/8"

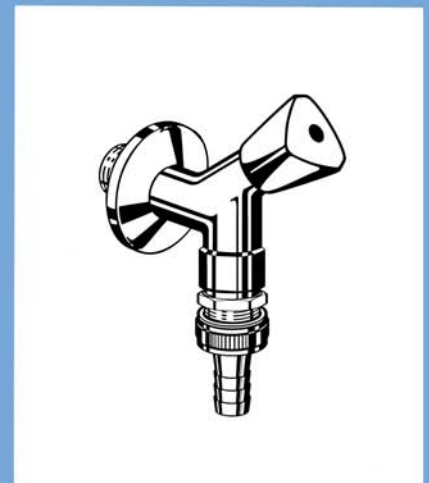
- For connection to existing angle valves
- Centre distance 53 mm
- Sanitary head 3/8" with backflow preventor, grease chamber and tricorn handle
- ELB compression nut 3/8" (4 pieces)



Slanted seat hose tap 6630

1/2" x 3/4"

- Sanitary head 3/8" with backflow preventor, grease chamber and tricorn handle
- Hose connection 3/4"



Slanted seat hose tap 6631

1/2" x 3/4"

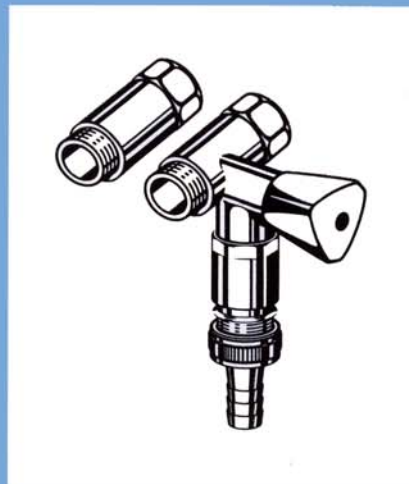
- as 6630, however with pipe ventilator according to DIN 3266



Hose tap 6640

1/2" x 3/4" x 1/2"

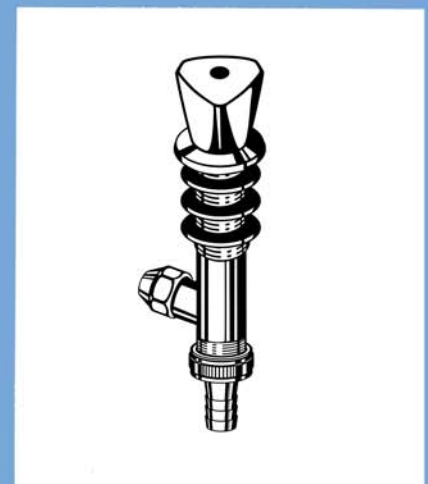
- Hose tap as intermediate valve for single draw-off points



Hose tap 6643

3/4"

- Hose tap as intermediate valve for wall-mounted mixer taps
- Spacer 3/4" (hot water connection)
- Pipe ventilator according to DIN 3266



Work-top mounted hose tap

1/2" x 3/4"

- Adjustable distance 50 mm
- 1/2" compression fitting for copper pipe ø 10 mm



FRIEDRICH GAMPPER KG
Fichtestrasse 8 • 71540 Murrhardt
Tel +49 (0) 7192 971-0 • Fax +49 (0) 7192 971-105
info@nil-gampper.de • www.nil-gampper.de

