



# More than just an angle valve

Do as many other customers do: Have your logo printed on our angle valve grip-cap and let our angle valve advertise for you. Just send us the logo of your choice and leave the rest to us.

A normal angle valve now becomes a new way of advertising, at no extra cost to you!

(Minimum order quantity: 300 pcs. NILplus angle valves).



## Free advertising space

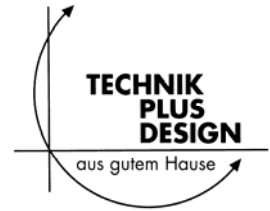


Make sure your name is kept in mind!





# Angle Valves



## The new grip

Makes the valve smoother and non-slipping.

## 3x tightening

Valve spindle with 3 o-rings and grease chamber – 3x tightening and smooth running.

## Tight + Safe

That's how the GMD and ELB compression nuts keep the connection with flexible hoses or copper pipes.

## Technical data

### Connection:

DN 10 x 3/8" and DN 15 x 1/2".

Sliding rosette.

Also available with self-tightening thread.

### Outlet:

3/8" for copper pipe  $\varnothing$  10 mm or flexible hoses.

## Certified and conforming to standards

DIN 3227 – Angle valves

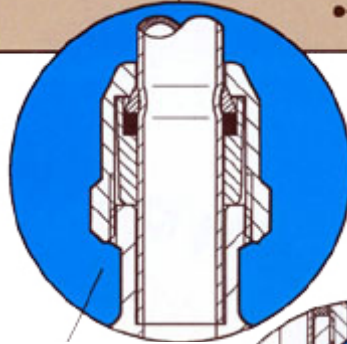
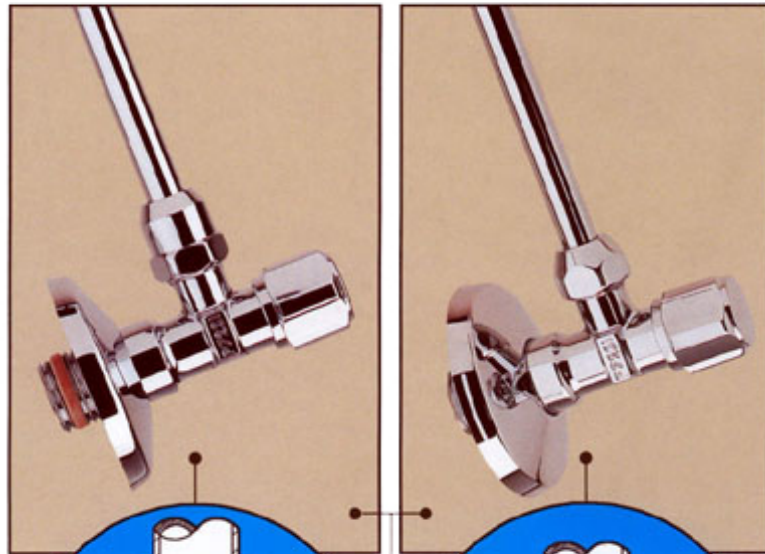
DVGW testing certificate

DW-6115BP5629

DIN EN ISO 3822 – noise behaviour

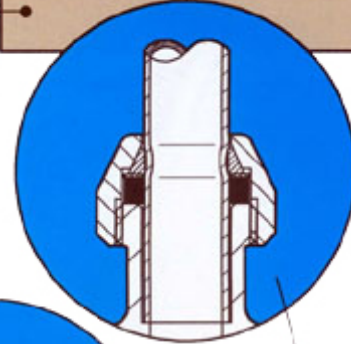
Test mark P-IX 723/IA –

Group of fittings I



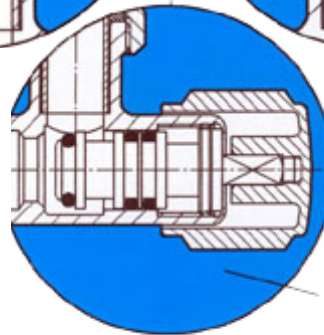
### The ELB connection

- Compression nut, long type
- metal clamping ring
- compression seal
- length compensation



### The GMD connection

- Compression nut, short type
- metal clamping ring
- shim
- compression seal



### The new grip

Smooth design, non-slipping – just great !

*Quality that pays off !*



Friedrich Gampper KG  
Fichtestrasse 8  
71540 Murrhardt  
Germany

Fon +49 (0) 7192 – 971 – 0  
Fax +49 (0) 7192 – 971 – 105  
Email: info@nil-gampper.de  
www.nil-gampper.de

