



# Combined Valves

**NEW!**

- According to norms
- Solid
- Permanently smooth running with grease chamber head
- With NILplus grip!



[ 6821 ]



## NILplus Combined Angle Valve 1/2" x 3/4" x 3/8"

- Sliding rosette 1/2" x ø 60 mm
- Hose connection 3/4"
- Sanitary head 3/8" with backflow preventer and NILplus grip
- ELB screwing 3/8" for copper pipes ø 10 mm or flexible hoses  
Compression nut, long type + metall tapered shim + compression seal + length adjustment
- Noise behaviour acc. to DIN 4109 / DIN 52218, test mark PA-IX 718 / IA
- Pipe ventilator acc. to DIN 3266 (models 6821 and 6826)
- Self-sealing connection thread (models 6825 and 6826)
- Also available with 3/8" connection thread
- Casing made of hot-pressed brass MS 58 (CuZn40Pb2)

## NILplus | Logo

Your personal company logo now also available on hose taps.  
Please see reverse side.



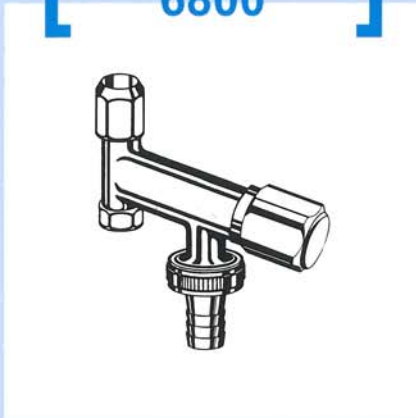


# Combined Valves

# NEW!

• According to norms • Solid • Permanently smooth running with grease chamber head • With NILplus grip!

[ 6800 ]



### NILplus hose tap

3/8" x 3/4" x 3/8"

For connection to existing angle valves.

- Hose connection 3/4"
- Sanitary head 3/8" with backflow preventer and NILplus grip
- Connection thread 3/8"
- ELB screwing 3/8" for copper pipe  $\varnothing$  10 mm
- Noise behaviour acc. to DIN 4109 / PA-IX8349 / I

[ 6830 ]



### NILplus slanted seat valve

1/2" x 3/4"

- Hose connection 3/4"
- Sanitary head 3/8" with backflow preventer and NILplus grip
- Threaded rosette 1/2"

[ 6831 ]



### NILplus slanted seat valve

1/2" x 3/4"

- as 6830, however with pipe ventilator acc. to DIN 3266

**NILplus | Logo:** Have your personal company logo printed on our hose taps. Minimum order quantity just 20 pieces. Simply add -50 to the order no., e.g. 6800-50.

[ 6840 ]



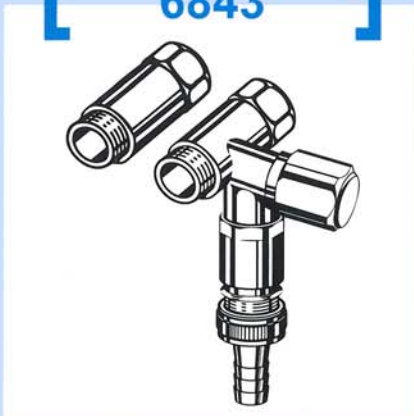
### NILplus hose tap

1/2" x 3/4" x 1/2"

As intermediate valve for single draw-off points.

- Sanitary head 3/8" with backflow preventer and NILplus grip
- Hose connection

[ 6843 ]



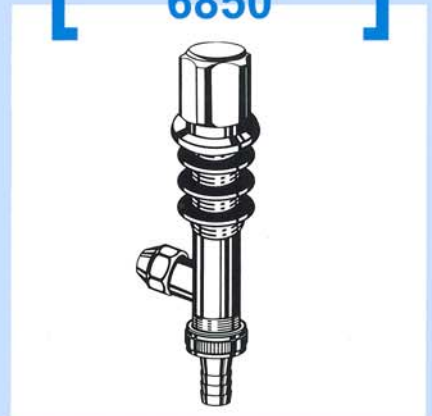
### NILplus hose tap

3/4"

As intermediate valve for wall-mounted mixer taps.

- Spacer 3/4" for hot water side
- Sanitary head 3/8" with backflow preventer and NILplus grip
- Hose connection
- Safety combination „HD" with backflow preventer and pipe ventilator

[ 6850 ]



### NILplus sink tap

1/2" x 3/4"

- Adjustable distance 50 mm
- Sanitary head 1/2" with backflow preventer and NILplus grip
- Screw connection 1/2" for copper pipe  $\varnothing$  10 mm
- Hose connection 3/4"



## FRIEDRICH GAMPPER KG

P.O. Box 1164 • D - 71534 Murrhardt  
Tel. +49 (0) 7192-971-0 • Fax 971-105

www.nil-gampper.de • info@nil-gampper.de

